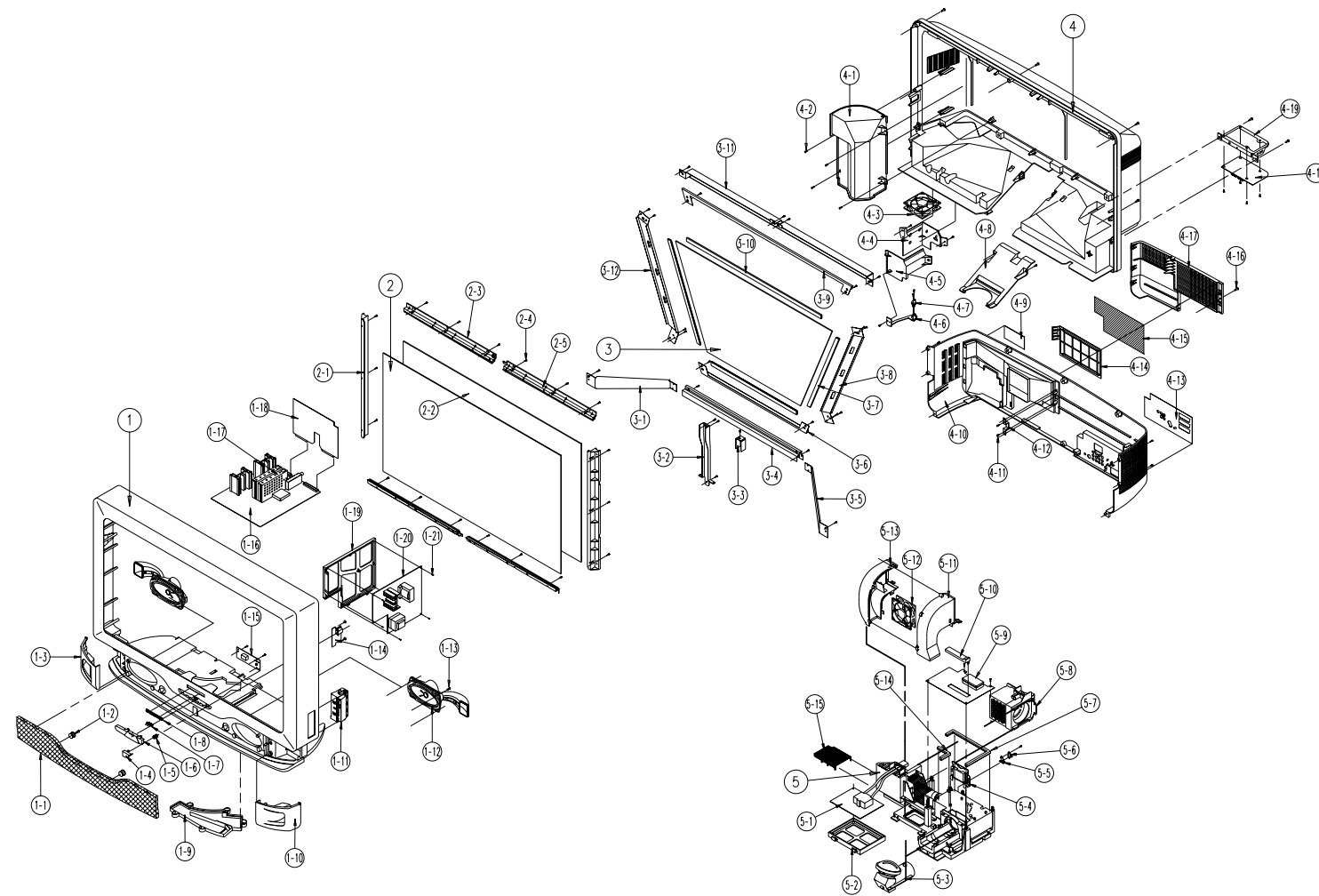


7. Exploded View & Parts List

7-1 SP403JHAX



No	Code No	Description	Specification	Q'ty	Remark
1-17	AA95-90031M	ASSY-PCB,MICOM	-,SPT-403J,PLT51A,PAL,-,-	1	
1-18	AA95-90031J	ASSY-AV,TERMINAL	-,SP403JHA,PLT51A,-,-,EU	1	
1-19	AA61-20217A	HOLDER-CHASS/POWER	ABS VO GRAY	1	
1-20	AA95-10010X	ASSY-PCB,POWER	SP-403JHA,PLT51A,40,-,EC,-	1	
1-21	AA60-10008A	SCREW-TAPPING	TH,+,M3,L10,ZPC(YEL),SWRCH185	1	
2	AA67-70049A	SUN-SCREEN	-,SVP-403J,P=0.72,PMMA,-,T=3.0	1	
2-1	AA61-20215B	HOLDER-SCREEN,S	-,S40LW,HIPS,HB,BLK,-	2	
2-2	AA67-70051A	SCREEN-TINT	-,SVP-403J,P=0.72,PMMA,-,T=3.0	1	
2-3	AA61-20214B	HOLDER-SCREEN,T	-,SVP403J,HIPS,HB,BLK,-	2	
2-4	6002-000522	SCREW-TAPPING	TH,+,2,M4,L15,ZPC(BLK),SWRCH18	18	
2-5	AA61-20215A	HOLDER-SCREEN,T	-,SVP403J,HIPS,HB,BLK,-	2	
3	AA67-20024A	MIRROR-FRONT	40,GLASS,3,-,SURFACE,779x460x	1	
3-1	AA61-10341A	BRACKET-MIRROR,SUP	-,SVP-403J,SECC-1,T1.6,BLK,RIG	1	
3-2	AA61-10371A	BRACKET-BACK,SUP(A)	-,SVP-403J,SECC-1,T1.2,BLK,-,-	1	
3-3	AA61-10344A	BRACKET-BACK,BOT	-,SVP-403J,SECC-1,T1.2,BLK,-,-	1	
3-4	AA61-10337A	BRACKET-BACK,TOP	-,SVP-403J,SECC-1,T1.2,BLK,-,-	1	
3-5	AA61-10340A	BRACKET-MIRROR,SUP	-,SVP-403J,SECC-1,T1.6,BLK,LEF	1	
3-6	AA61-10338A	BRACKET-MIRROR,BOT	-,SVP-403J,SECC-1,T1.2,BLK,-,-	1	
3-7	AA63-60052G	SPACER-MIRROR	PVC,HB,BLK,390,SVP403J,-	3	
3-8	AA61-10342A	BRACKET-MIRROR,SIDE	-,SVP-403J,SECC-1,T1.6,BLK,LEF	1	
3-9	AA61-10339A	BRACKET-MIRROR,TOP	-,SVP-403J,SECC-1,T1.2,BLK,-,-	1	
3-10	AA63-60052F	SPACER-MIRRORPVC	-,BLK,HB 720,SVP-403J,-	1	
3-11	AA61-10323A	BRACKET-FRONT,T	-,SVP-403J,SECC-1,T1.2,BLK,-,-	1	
3-12	AA61-10343A	BRACKET-MIRROR,SIDE	-,SVP-403J,SECC-1,T1.6,BLK,RIG	1	
4	AA64-30854B	CABINET-B/TOP	HIPS V2 GRAY	1	
4-1	AA63-30130A	COVER-DUCT	-,SVP403J,-,HIPS,VO,BLK,-,-	1	
4-2	6002-000522	SCREW-TAPPING	TH,+,2,M4,L15,ZPC(BLK),SWRCH18	4	
4-3	AA91-20069A	ASSY-DUCT,IN	-,VO,FAN,SVP403J	1	
4-4	AA63-30180A	COVER-DUCT,OUT,R	-,SVP-403J,-,HIPS,VO,BLK,-,-	1	
4-5	AA63-30181A	COVER-DUCT,OUT,L	-,SVP-403J,-,HIPS,VO,BLK,-,-	1	
4-6	AA61-11006A	BRACKET-LAMP	-,SVP-403J,SECC-1,T1.0,-,-,-	1	
4-7	4712-000121	THERMOSTAT	125V/250V,15A/7.5A,95+5C,85+	1	
4-8	AA63-30176A	COVER-LENS,A	-,SVP-403J,-,HIPS,VO,BLK,-,-	1	
4-9	AA64-60411B	INLAY-LAMP	SPT-403J,-,PS,T0.5,BLK,-,-	1	
4-10	AA64-31012B	CABINET-BACK,BO	T,-,SPM-403J,-,HIPS,V2,GRAY,-,-	1	
4-11	6002-000522	SCREW-TAPPING	TH,+,2,M4,L15,ZPC(BLK),SWRCH18	2	
4-12	AA61-10379A	BRACKET-COVER	-,SVP403J,SECC,T1.0,-,-,-	1	
4-13	AA64-60442A	INLAY-TERMINAL,PAL	SPM-403J,-,PS,T0.5,BLK,-,-	1	
4-14	AA61-20253A	HOLDER-SPONGE,A	-,SVP-403J,ABS,HB,BLK,-	1	
4-15	AA63-60112B	SPACER-SPONGE,DUCT	PU FORM,T5,BLK,-,SVP403J,-	1	
4-16	AA60-10050K	SCREW-MACHINE	FH,M4,L15.5,ZPC(BLK),SWRC	1	
4-17	AA63-30183B	COVER-FAN,A	-,SPM-403J,-,HIPS,V2,GRAY,-,-	1	
4-18	AA95-90033C	ASSY-PCB,PFC	-,SP-403JHA,PLT51A,EC,-,-	1	
4-19	AA61-11005	BRACKET-PFC	SP403J	1	
5	AA91-20057A	ASSY-LENS,MECHA	-,-,DS001AKB-61B,SVP-403J	1	
5-1	AA81-10001A	A/S	BALLAST,SVP403J	1	
5-2	AA61-20252A	HOLDER-CHASSIS	-,ABS,VO,GRY,-,SVP-403J	1	
5-3	AA67-10047A	LENS-ASSY	S403J,GLASS,-,F1.5/19.4+,T233	1	
5-4	AA07-10002A	LCD-PANNEL	-,LCX011AM,SVP-403J,1.43	1	
5-5	AA61-10185A	BRACKET-SENSOR	-,L3300,SECC,T1.0,-,-,-	1	
5-6	3409-000178	SWITCH-LEVER	T2V,100mA,SPDT,-,27deg	1	
5-7	AA63-60123A	SPACE-SPONGE,LCD	SPONGE,VO,BLK	1	
5-8	AA47-10001B	LAMP-MERCURY	160V,1300MA,100W,WHT,6000LM	1	
5-9	AA95-90033B	ASSY-PCB,LCD CONTROL	-,SP-403JHA,PLT51A,EC,-,-	1	
5-10	AA63-30223A	COVER-LCD	ABS VO BLK	1	
5-11	AA63-30178A	COVER-DUCT,IN,R	-,SVP-403J,-,HIPS,VO,BLK,-,-	1	
5-12	AA91-20069A	ASSY-DUCT,IN	-,VO,FAN,SVP403J	1	
5-13	AA63-30179A	COVER-DUCT,IN,L	-,SVP-403J,-,HIPS,VO,BLK,-,-	1	
5-14	AA63-60123B	SPACE-SPONGE,LCD	SPONGE,VO,BLK	1	
5-15	AA63-50351A	GRILLE-LAMP	SECC-1 T0.5	1	
1	AA91-10308L	ASSY-CABINET,FRONT	-,SPM403JHARX/NWT,PLT51A UKRAINE	1	
	AA64-30853E	CABINET-FRONT	-,-,DG-703P,HIPS,HB,BLK,-,-	1	
1-1	AA63-30128A	COVER-GRILLE	-,SVP-403J,-,HIPS,HB,BLK,-,-	1	
1-2	AA61-20061A	HOLDER-GRILLE	-,S5288,NEOPRENE,HB,BLK,-	2	
1-3	AA63-30127F	COVER-HORN,L	-,SP403JHAR,-,ABS,HB,BLK,-	1	
1-4	AA64-10775A	KNOB-POWER,MASTER	-,SP403JHA,-,PC,-,VIOLET	1	
1-5	AA61-60004N	SPRING-ES	-,SUS304,0.6,OD8.1,H10,N5,-,-	1	
1-6	AA61-20301A	HOLDER-INDICATOR	-,SPM-403J,PC,VO,VIOLET,-	1	
1-7	AA64-40381A	INDICATOR-LED	-,SVP403J,-,ACRYL,HB,CLEAR,-	1	
1-8	AA64-70105A	BADGE-BRAND	AL,SS FLAT,SILVER,L70,-,-,-	1	
1-9	AA63-30177A	COVER-DUCT,BOT	-,SVP40LW,-,HIPS,HB,BLK,-,-	1	
1-10	AA63-30126B	COVER-HORN,R	-,SP403JHA,DG703P,HIPS,HB,BLK,	1	
1-11	AA91-20056C	ASSY-DOOR	-,ABS HB,DG-703P,SPM403J	1	
1-12	AA91-60225A	ASSY-HOLDER,SPK	-,PP,HB,BLK,8R20W,168BR20K	1	
1-13	6002-000522	SCREW-TAPPING	TH,+,2,M4,L15,ZPC(BLK),SWRCH18	8	
1-14	AA95-90032Z	ASSY-PCB,MASTER	-,SP-403JHA,PLT51A,EC,-,-	1	
1-15	AA95-90032Y	ASSY-PCB,REMOCON	-,SP-403JHA,PLT51A,EC,-,-	1	
1-16	AA94-00724A	ASSY-PCB,MAIN(OPT)	SP403JHARX/NWT,PLT51A,UKRANINE-	1	